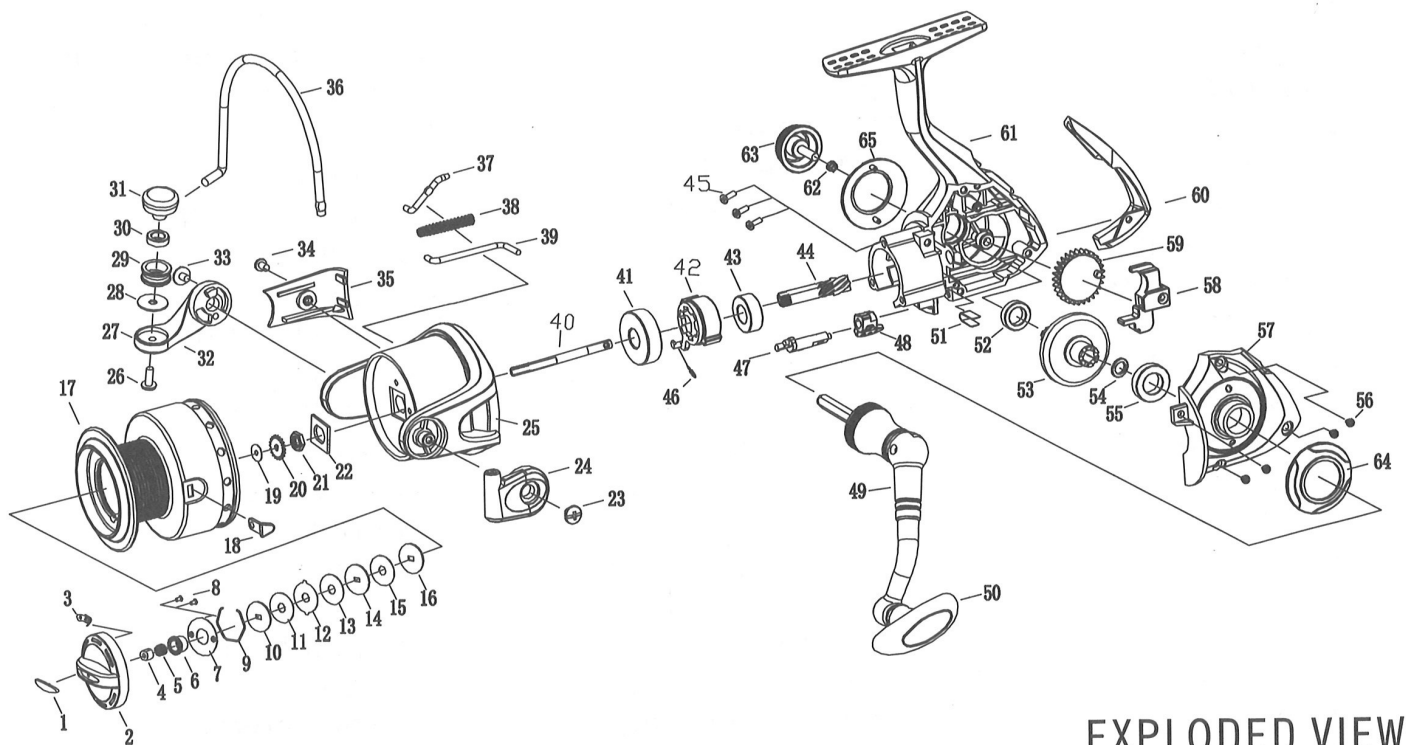


SEAHAWK®

- SINCE 1978 -

MOJU



EXPLODED VIEW

SEAHAWK®

- SINCE 1978 -

- | | | |
|------------------------|--------------------|------------------------|
| 1.drag knob cover | 23.bail arm screw | 45.screw |
| 2.drag knob | 24.bail arm | 46.spring |
| 3.click plate | 25. rotor | 47.anti-reverse lever |
| 4.bushing | 26.screw | 48.anti-reverse button |
| 5.spring | 27. bail arm | 49.handle |
| 6.click gear | 28.washer | 50. knob |
| 7.cover | 29. line roller | 51.spring |
| 8.screw | 30. ball bearing | 52.ball bearing |
| 9.drag washer retainer | 31.bail strip | 53.main gear |
| 10.key washer | 32.bail arm | 54. washer |
| 11.washer | 33.screw | 55. ball bearing |
| 12.ear washer | 34.screw | 56. screw |
| 13.washer | 35.rotor cover | 57. body cover |
| 14.key washer | 36. bail line | 58. slider |
| 15.washer | 37.bail trip shaft | 59. drive gear |
| 16.key washer | 38. spring | 60.body cover |
| 17. spool | 39.bail trip shaft | 61. body |
| 18.line buckle | 40. main shaft | 62.washer |
| 19.washer | 41. ball bearing | 63. handle cover |
| 20.click gear | 42.one way clutch | 64.body cover |
| 21.nut | 43. ball bearing | 65.body cover |
| 22.retainer | 44. pinion gear | |